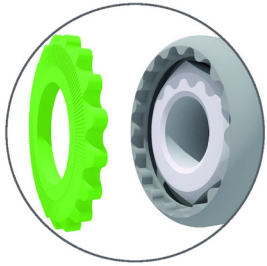


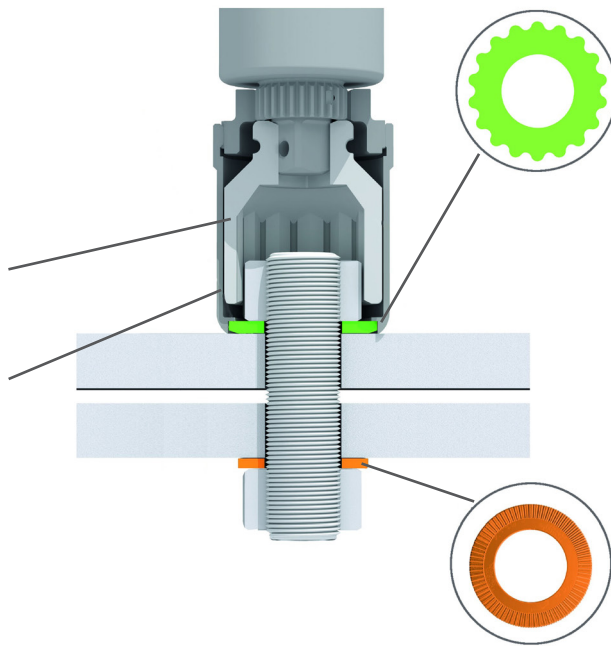
## HYTORC WASHER

The innovative HYTORC Washer Driver power socket consists of two nested sockets, which, when used together with Washer fasteners, enhance the accuracy and safety of bolt tightening and loosening operations. Since the reaction force is taken directly from the washer during tightening, no separate reaction arm or support point is needed.



The inner socket functions like a traditional power socket.

The outer socket supports itself at one end against the wrench body and at the other end against the toothed outer edge of the Washer fastener.



### HYTORC WASHER

- Reusable
- Only a small additional cost
- Smooth surface enhances accuracy by eliminating friction variations
- Protects flange surfaces
- Available in sizes M16-M150

### BACKUP WASHER

- Anti-rotation grooves on both sides of the washer
- Available in sizes M16-M150

Since there is no need for an interchangeable reaction arm between different applications, the same tool can be used in multiple locations. Working without a reaction arm also eliminates the risk of pinch points, improving workplace safety. Additionally, using the washer for reaction force enhances the lifespan of the tools being used. Washers can be implemented in almost any setup without requiring the replacement of existing nuts or bolts.

Washer fasteners are compatible with MXTP, AVANTI, ICE, STEALTH, jGun, LITHIUM, and LION wrenches.

### SAFETY

- Reaction force is taken directly from the washer - no need to search for a reaction point, reducing the risk of hand injuries or another dangerous slipping incidents.

### EASY OF USE

- No need for bolt heating or lubrication-based pre-treatment.

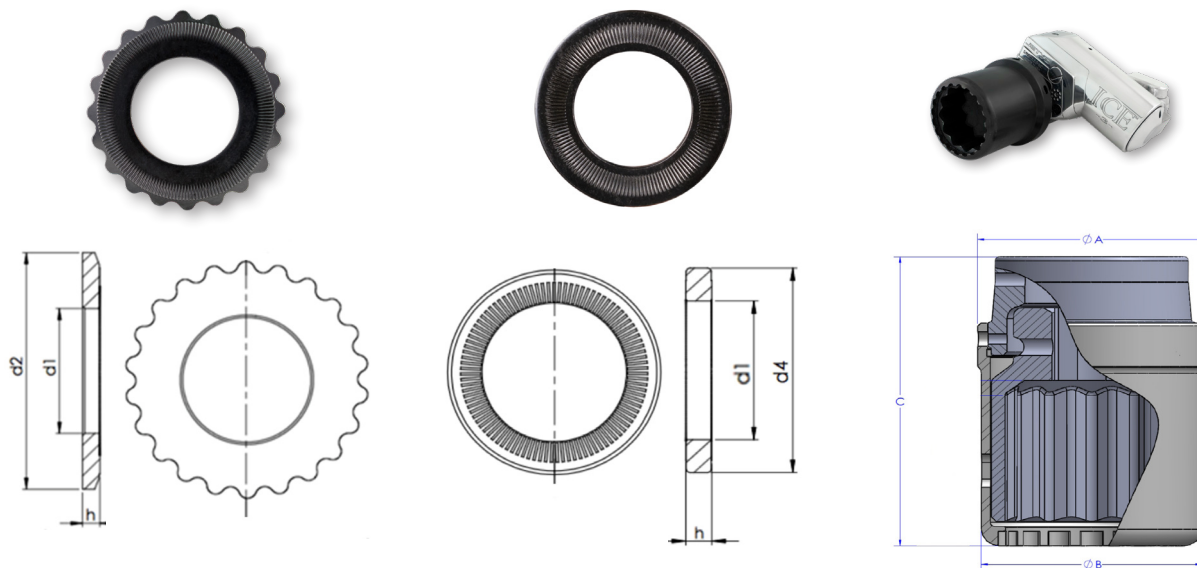
### ACCURACY

- No need lateral forces, unknown friction effects, or inaccuracies caused by them.

### SPEED

- No surprises or prolonged maintenance times. Tightening and loosening bolt connections is easy and up to 50% faster than other methods.





## WASHER, BACKUP WASHER AND WASHER DRIVER

Bolt Size	A/F mm	Washer Item	Backup Washer Item	d1 mm	d2 mm	h mm	d4 mm	Washer Driver Item	ØA mm	ØB mm	C mm
<b>MXTP-01, ICE-1, jGUN-1/P5/P25, LST-0700/1200, LION-7, LGX-1000 [3/4" drive]</b>											
M14	22	ZRW-M14	ZBW-M14	15,0	28,4	3,1	25,5	-	-	-	-
M16	24	ZRW-M16	ZBW-M16	17,0	31,0	3,1	27,6	DZAK-009-015X	-	-	-
M18	27	ZRW-M18	ZBW-M18	19,2	36,4	3,3	31,2	-	-	-	-
M20	30	ZRW-M20	ZBW-M20	21,1	37,0	3,3	34,6	DZAK-M20-M30X-NHP	58,5	48,5	76,0
M22	32	ZRW-M22	ZBW-M22	23,1	40,6	3,3	36,8	DZAK-012-104X	58,5	51,8	80,6
M24	36	ZRW-M24	ZBW-M24	25,3	47,4	4,0	41,9	DZAK-014-107X	58,5	56,0	78,5
M27	41	ZRW-M27	ZBW-M27	28,7	52,2	4,0	47,5	DZAK-100-110X	63,5	61,0	88,9
M30	46	ZRW102-M30	ZBW102-M30	31,4	58,6	4,8	53,1	DZAK-102-113X	71,3	68,7	93,9
M33	50	ZRW104-M33	ZBW104-M33	34,2	63,3	4,8	58,6	DZAK-104-200X	78,5	76,0	95,8
M36	55	ZRW106-M36	ZBW106-M36	37,9	69,6	4,8	64,2	DZAK-106-203X	84,5	82,0	104,6
M39	60	ZRW108-M39	ZBW108-M39	40,4	74,4	4,8	69,6	DZAK-108-206X	90,0	87,0	105,7
<b>MXTP-03, ICE-3, jGUN-2/3 LST-2000/3000, LGX-3000 [1" drive]</b>											
M27	41	ZRW-M27	ZBW-M27	28,7	52,2	4,0	47,5	DZAL-100-110X	71,2	63,5	95,2
M30	46	ZRW102-M30	ZBW102-M30	31,4	58,6	4,8	53,1	DZAL-102-113X	71,2	69,9	99,8
M33	50	ZRW104-M33	ZBW104-M33	34,2	63,3	4,8	58,6	DZAL-104-200X	78,5	76,0	110,0
M36	55	ZRW106-M36	ZBW106-M36	37,9	69,6	4,8	64,2	DZAL-106-203X	85,0	82,0	106,8
M39	60	ZRW108-M39	ZBW108-M39	40,4	74,4	4,8	69,6	DZAL-108-206X	89,5	87,3	116,8
M42	65	ZRW110-M42	ZBW110-M42	43,3	80,7	6,2	75,2	DZAL-110-209X	99,3	94,0	132,3
M45	70	ZRW112-M45	ZBW112-M45	46,2	85,2	6,2	80,6	DZAL-112-212X	103,7	99,1	133,6
M48	75	ZRW114-M48	ZBW114-M48	50,1	91,9	6,2	86,2	DZAL-114-215X	112,9	107,0	134,5
M52	80	ZRW200-M52	ZBW200-M52	54,1	96,2	6,2	91,6	DZAL-200-302X	116,2	113,0	143,9
<b>MXTP-05, ICE-5, LST-5000 [1 1/2" drive]</b>											
M39	60	ZRW108-M39	ZBW108-M39	40,4	74,4	4,8	69,6	DZAM-108-206X	105,2	88,9	132,7
M42	65	ZRW110-M42	ZBW110-M42	43,3	80,7	6,2	75,2	DZAM-110-209X	101,6	101,6	136,0
M45	70	ZRW112-M45	ZBW112-M45	46,2	85,2	6,2	80,6	DZAM-112-212X	107,1	107,1	135,3
M48	75	ZRW114-M48	ZBW114-M48	50,1	91,9	6,2	86,2	DZAM-114-215X	112,0	112,0	138,9
M52	80	ZRW200-M52	ZBW200-M52	54,1	96,2	6,2	91,6	DZAM-200-302X	121,0	121,0	146,1
M56	85	ZRW-M56	ZBW204-M56	59,3	108,7	7,6	104,6	DZAM-204-308X	133,0	133,0	151,1
M64	95	ZRW208-M64	ZBW208-M64	67,5	121,1	8,5	114,3	DZAM-208-314X	144,0	144,0	164,7
M72	105	ZRW-M72	ZBW-M72	74,0	133,7	8,5	125,0	DZAM-212-402X	155,0	155,0	172,4
M80	115	ZRW-M80	ZBW-M80	82,0	142,1	10,3	133,4	DZAM-300-410X	166,0	166,0	183,6
<b>MXTP-10 [1 1/2" drive]</b>											
M56	85	ZRW-M56	ZBW204-M56	59,3	108,7	7,6	104,6	DZAP-204-308X	133,0	133,0	155,0
M64	95	ZRW208-M64	ZBW208-M64	67,5	121,1	8,5	114,3	DZAP-208-314X	144,0	144,0	169,8
M72	105	ZRW-M72	ZBW-M72	74,0	133,7	8,5	125,0	DZAP-212-402X	155,0	155,0	177,5
M80	115	ZRW-M80	ZBW-M80	82,0	142,1	10,3	133,4	DZAP-300-410X	166,0	166,0	188,7