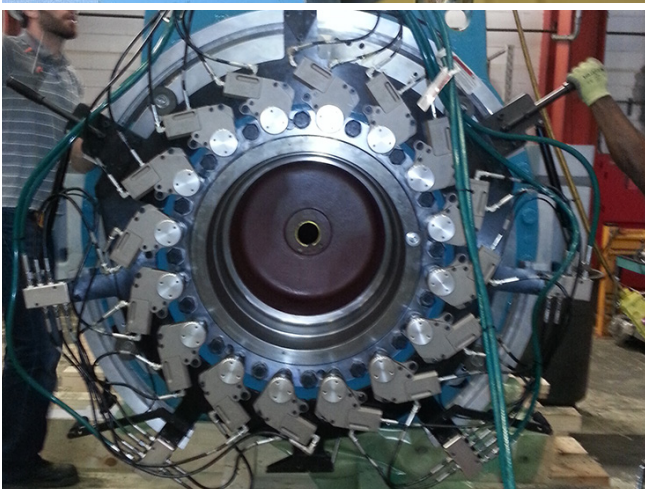
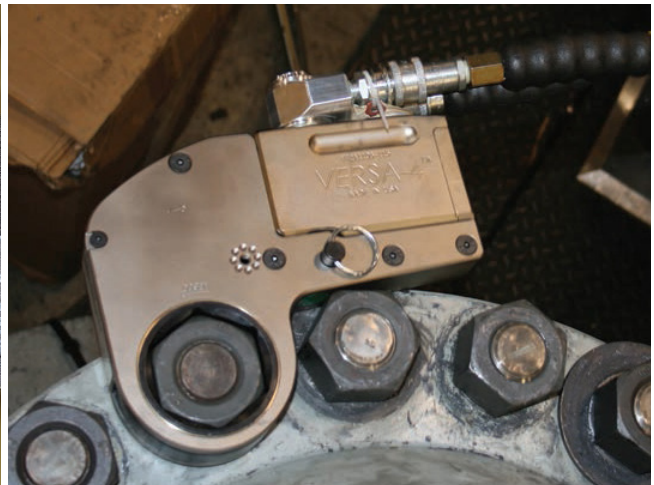
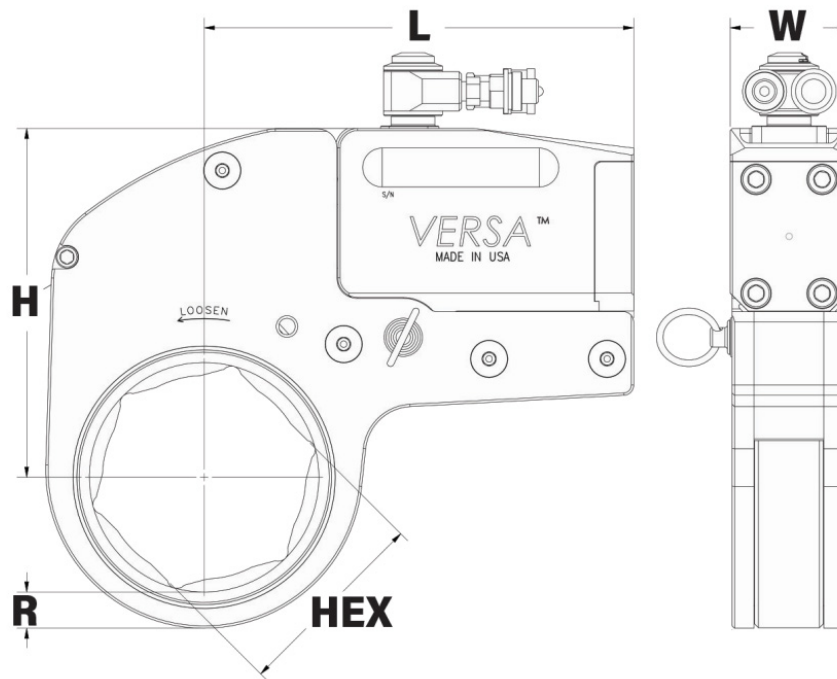


HYTORC VERSA HYDRAULIC TORQUE WRENCH

VERSA is a cost-effective ring head hydraulic wrench with a simple design, making it particularly suitable for maintenance applications.

- | Compatible with the HYTORC Washers, J-Washers and HYTORC Nut (holding plate required)
- | Manufactured for both heavy industry and maintenance.
- | The whole tool is as slim as the ratchet link
- | Bolt and tool piston aligned – no additional side forces
- | Uni-swivel technology for free movement and positioning of tool and hoses
- | Versatile for use with hex, 12-point, castle-nut sockets, etc
- | Safe, no hand-held support required
- | Supplied with a calibration certificate
- | Supplied with a carry handle
- | Supplied with a robust heavy-duty case





Item	A/F mm	Torque Range Nm	R mm	L mm	H mm	W mm	Weight kg
VERSA-1	17 - 46	203 - 1 423	8	107	87	27	1,3
VERSA-2	24 - 60	354 - 2 602	10	136	95	32	1,5
VERSA-4	36 - 80	887 - 6 104	13	180	140	42	3,3
VERSA-8	50 - 95	1 829 - 12 195	16	218	166	53	5,4

EASE-OF-USE



The three-piece construction of the VERSA makes not only the use of the wrench easy but also its maintenance.

SLIM DESIGN



The slim body design of the VERSA allows it to be used even in applications where square drive wrenches cannot be utilized due to limited space.

ACCESSORIES HYDRAULIC TORQUE WRENCHES REACTION ARMS AND SOLUTIONS



1



2



3



4



5



6



7



8



9



10



11



12

Number	Description	Compatibility
1	Square drive type reaction arm	MXT+ / ICE / AVANTI
2	360° x 360° rotatable reaction arm	MXT+ / ICE / AVANTI
3	Standard reaction arm	MXT+ / MXT / EDGE-S
4	Reaction sleeve	MXT+ / MXT / EDGE-S
5	Track pad fixture	MXT+ / ICE / AVANTI
6	Washer driver socket	MXT+ / ICE / AVANTI
7	HYTORC Nut driver	MXT+ / ICE / AVANTI
8	Alco arm	MXT+ / MXT / EDGE-S
9	U-shaped reaction arm	MXT+ / ICE / AVANTI
10	Reaction pad	STEALTH / VERSA / XLCT
11	Alco arm	STEALTH / VERSA / XLCT
12	Welding adapter	MXT+ / ICE / AVANTI

DUAL HYDRAULIC HOSES

- Hose working pressure: 700 bar
- High-visibility color ensures visibility even in poor conditions
- Hose lengths can be customized according to customer specifications, starting from 0.5 m
- All hoses, wrenches, and pumps can be equipped with connectors according to customer requirements
- Standard lengths (m): 5, 6, 8, 10, 12, 16
- Available with protective casing

