

TEKKOR SERIES HIGH TORQUE ACCURACY CORDLESS NUTRUNNERS AND IMPULSE TOOLS

Excellent ergonomics and an outstanding power-to-weight ratio make Tekkor cordless screwdrivers and impulse tools an excellent choice for any application. Unlike traditional impact wrenches, the Tekkor cordless impulse wrench, thanks to its hydraulic impulse system, is vibration-free and virtually silent. The adjustable torque clutch ensures high repeatability accuracy.

FEATURES:

- | Adjustable torque clutch ensuring high repeatability accuracy
- | Maintenance-free and efficient brushless electric motor
- | Audio and visual indicators for successful fastening (OK/NOK)
- | Programmable speed settings, dual-speed functionality, and trigger operation
- | Soft start function
- | Battery voltage monitoring – the tool locks when the voltage level drops too low to ensure proper operation
- | Low noise level below 75 dB(A)
- | Vibration level below 2.5 m/s²
- | A wide range of models and sizes ensure the optimal screwdriver for every application



TEKKOR

PISTOL-GRIP CORDLESS SCREWDRIVERS

Balanced and ergonomic pistol models are simultaneously easy to use and highly precise. Four different model sizes cover a torque range of 0.8 – 12 Nm. The drivers feature a quick-locking chuck.



ANGLE-HEAD CORDLESS SCREWDRIVERS

Excellent ergonomics and wrench balance, combined with an outstanding power-to-weight ratio, make the Tekkor angle tool an ideal choice for any application. Models cover a torque range of 3 – 90 Nm. The high-precision torque clutch minimizes torque reaction transferred to the user.



Item	Drive	Torque Range Nm*	Lenght mm	Weight kg	Free Speed rpm
Pistol Models					
TKR-P3Q	1/4" QC	1 - 3	204	1,0	500 - 1 550
TKR-P6Q	1/4" QC	1 - 6	204	1,0	300 - 1 000
TKR-P9Q	1/4" QC	2 - 9	204	1,0	300 - 800
TKR-P12Q	1/4" QC	2 - 12	204	1,0	250 - 600
Long Angle Models					
TKR-K12Q	1/4" QC	3 - 12	483	1,5	400 - 1 000
TKR-K124	1/4" SQ	3 - 12	483	1,5	400 - 1 000
TKR-K126	3/8" SQ	3 - 12	483	1,5	400 - 1 000
TKR-K18Q	1/4" QC	5 - 18	483	1,5	300 - 600
TKR-K164	1/4" SQ	5 - 18	483	1,5	300 - 600
TKR-K166	3/8" SQ	5 - 18	483	1,5	300 - 600
TKR-K306	3/8" SQ	8 - 30	488	1,6	250 - 480
TKR-K356	3/8" SQ	10 - 35	488	1,6	200 - 330
TKR-K506	3/8" SQ	22 - 50	579	2,0	200
TKR-K508	1/2" SQ	22 - 50	579	2,0	200
TKR-K606	3/8" SQ	25 - 60	579	2,0	160
TKR-K608	1/2" SQ	25 - 60	579	2,0	160
TKR-K706	3/8" SQ	30 - 70	593	2,5	170
TKR-K708	1/2" SQ	30 - 70	593	2,5	170
TKR-K908	1/2" SQ	40 - 90	593	2,5	90
Short Angle Models					
TKR-KL07Q	1/4" QC	2 - 7	375	1,5	400 - 800
TKR-KL074	1/4" SQ	2 - 7	375	1,5	400 - 800
TKR-KL076	3/8" SQ	2 - 7	375	1,5	400 - 800
TKR-KL14Q	1/4" QC	4 - 14	375	1,5	200 - 500
TKR-KL144	1/4" SQ	4 - 14	375	1,5	200 - 500
TKR-KL146	3/8" SQ	4 - 14	375	1,5	200 - 500
TKR-KL306	3/8" SQ	8 - 30	450	1,8	200

*) Haitor offers calibration to one value at -50% discount with the purchase of a new machine (includes traceable calibration certificate).

TEKKOR

IMPULSE GUN

Tekkor battery-powered impulse guns are versatile and reliable tools suitable for a wide variety of applications. Due to their hydraulic impulse system there is no torque reaction on the wrist and the noise levels are low compared to traditional impulse wrenches. Tools cover a torque range of 7-65 Nm. All battery-powered Tekkor tools use the same 18V Li-ion batteries and chargers, making the whole series flexible and easily expandable. In addition, all tools can be programmed with a separate Tekkor control unit, which is a brilliant accessory for fine-tuning tool speed, sounds, light signals and operation the trigger.

- ▮ Reliably and accurately repeatable operation
- ▮ Service-free, brushless electric motor
- ▮ A wide selection of different models for every possible application
- ▮ Easy-to-read LED signals and audio signals for OK / NOK tightening operation
- ▮ Programmable rpm and adjustable trigger
- ▮ Soft-start
- ▮ Battery monitoring feature; the tool shuts itself off when the battery charge drops below the level for sufficient operation
- ▮ Quiet operation <75 db(A)
- ▮ Low vibration level <2,5 m/s²



BLINKING YELLOW AND GREEN = CCW



GREEN = KIRISTYS OK



RED = KIRISTYS NOK



BLINKING YELLOW = LOW BATTERY



YELLOW = CHANGE BATTERY



Item	Drive	Torque Range Nm*	Length mm	Weight kg	Free Speed rpm
TKR-I13Q	1/4" QC	7 - 13	224	1,2	4 500
TKR-I156	3/8" SQ	8 - 15	224	1,2	4 500
TKR-I23Q	1/4" QC	14 - 23	224	1,3	4 500
TKR-I256	3/8" SQ	15 - 25	224	1,3	4 500
TKR-I35Q	1/4" QC	20 - 31	224	1,4	3 500
TKR-I356	3/8" SQ	22 - 35	224	1,4	3 500
TKR-I456	3/8" SQ	32 - 45	224	1,4	3 500
TKR-I658	1/2" SQ	45 - 65	224	1,9	3 200

*) Haitor offers calibration to one value at -50% discount with the purchase of a new machine (includes traceable calibration certificate).

TEKKOR ACCESSORIES

ACCESSORIES – 20V AND 18V LI-ION BATTERIES AND CHARGER

All Tekkor-series screwdrivers and impulse tools use Li-ion batteries, which are long-lasting and impact-resistant. We recommend 4.0Ah and 5.0Ah batteries for higher torque applications.



TEKKOR CORDLESS WRENCH PROGRAMMING UNIT

The Tekkor programming unit is used to configure the operation of wrenches. Programmable features include wrench rotation speed, indicator lights and sounds, two-stage trigger function, trigger delay, direction switch function, etc. Additionally, the programming unit allows for reviewing calibration data, serial number, and cycle counter information. The programming unit connects conveniently to the wrench via a USB cable and is powered directly by the wrench's battery.



BATTERY TOOLS

Description	
TKR-20V2.5A	20 V/2.5Ah Li-ion battery
TKR-20V5A	20 V/5.0Ah Li-ion battery
TKR-18V2A	18 V/2.0Ah Li-ion battery
TKR-18V4A	18 V/4.0Ah Li-ion battery
TKR-AL18V	18/20 V Charger
TKR-PROG	Programmer

OFF SET HEADS



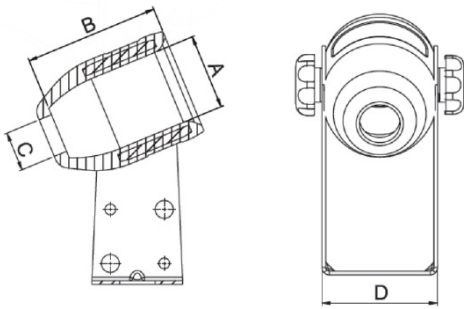
HOLDERS AND HOLSTERS

Item	Dimensions mm			
	A Ø	B	C Ø	D
Holsters				
TKR-HOLSTER42	42	75	22	62.3
TKR-HOLSTER47	47	30	26	69.3
TKR-HOLSTER58	58	55	33	80.3
TKR-HOLSTER73	73	45	45	95.3
TKR-HOLSTERBT	Battery side holster			
Holders				
TKR-SUSPENSIONBAIL90	51,3			
TKR-SUSPENSIONBAIL100	55,3			
TKR-SUSPENSIONBAIL130	61,3			
TKR-SUSPENSIONBAIL150	69,3			
TKR-SUSPENSIONBAIL180	70			



TKR-HOLSTERBT

TKR-HOLSTER



TKR-SUSPENSIONBAIL