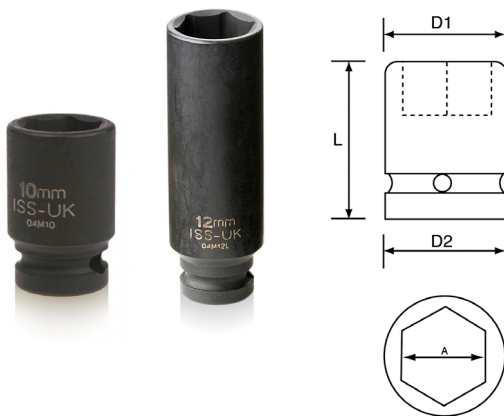


SIX-POINT SOCKETS

1/4" DRIVE

A	Item		D2 mm	D1 mm	L mm	
	Regular	Long			Regular	Long
mm						
4	H04M04	H04M04L	13	7,6	23	50
4,5	H04M04.5	H04M04.5L	13	8,2	23	50
5	H04M05	H04M05L	13	8,8	23	50
5,5	H04M05.5	H04M05.5L	13	9,5	23	50
6	H04M06	H04M06L	13	10	23	50
7	H04M07	H04M07L	13	11,3	23	50
8	H04M08	H04M08L	13	12,5	23	50
9	H04M09	H04M09L	13	13,8	23	50
10	H04M10	H04M10L	13	15	23	50
11	H04M11	H04M11L	13	16,3	23	50
12	H04M12	H04M12L	13	17	23	50
13	H04M13	H04M13L	13	18,8	23	50
14	H04M14	H04M14L	13	20	23	50

A	Item		D2 mm	D1 mm	L mm	
	Regular	Long			Regular	Long
inch						
3/16"	H0403	H0403L	13	8,5	23	50
7/32"	H0403.5	H0403.5L	13	9,5	23	50
1/4"	H0404	H0404L	13	10,3	23	50
9/32"	H0404.5	H0404.5L	13	11,3	23	50
5/16"	H0405	H0405L	13	12,5	23	50
11/32"	H0405.5	H0405.5L	13	13,8	23	50
3/8"	H0406	H0406L	13	15	23	50
7/16"	H0407	H0407L	13	16,3	23	50
1/2"	H0408	H0408L	13	18,8	23	50
9/16"	H0409	H0409L	13	20	23	50

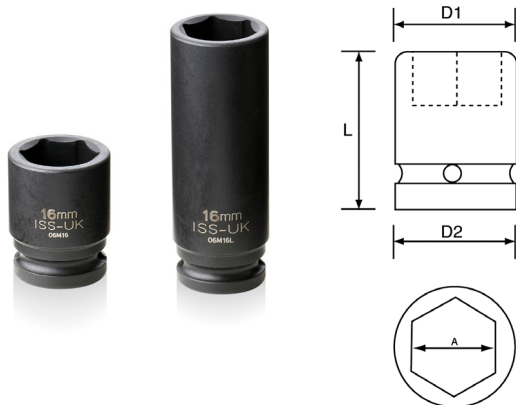


SIX-POINT SOCKETS

3/8" DRIVE

A	Item		D2 mm	D1 mm	L mm	
	Regular	Long			Regular	Long
mm						
6	H06M06	H06M06L	19	11	30	63
7	H06M07	H06M07L	19	12,5	30	63
8	H06M08	H06M08L	19	13,8	30	63
9	H06M09	H06M09L	19	15	30	65
10	H06M10	H06M10L	19	16	30	65
11	H06M11	H06M11L	19	17,5	30	65
12	H06M12	H06M12L	19	19	30	65
13	H06M13	H06M13L	22	20	30	65
14	H06M14	H06M14L	22	21	30	65
15	H06M15	H06M15L	22	22	30	65
16	H06M16	H06M16L	22	24	30	65
17	H06M17	H06M17L	22	25	30	65
18	H06M18	H06M18L	22	26	30	65
19	H06M19	H06M19L	22	27,5	30	65
20	H06M20	H06M20L	22	28	30	65
21	H06M21	H06M21L	22	30	30	65
22	H06M22	H06M22L	23	32	30	65
24	H06M24	H06M24L	23	34	30	65

A	Item		D2 mm	D1 mm	L mm	
	Regular	Long			Regular	Long
inch						
1/4"	H0604	H0604L	19	11	30	63
5/16"	H0605	H0605L	19	12,5	30	63
3/8"	H0606	H0606L	19	14,5	30	65
7/16"	H0607	H0607L	19	17	30	65
1/2"	H0608	H0608L	19	19	30	65
9/16"	H0609	H0609L	20	20	30	65
5/8"	H0610	H0610L	24	24	30	65
11/16"	H0611	H0611L	24	24	30	65
3/4"	H0612	H0612L	26	26	30	65
13/16"	H0613	H0613L	28	28	30	65
7/8"	H0614	H0614L	30	30	30	65
15/16"	H0615	H0615L	32	32	30	65
1"	H0616	H0616L	34	34	30	65

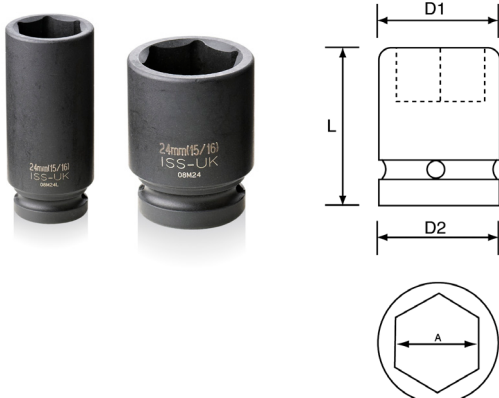


SIX-POINT SOCKETS

1/2" DRIVE

A	Item		D2 mm	D1 mm	L mm	
	Regular	Long			Regular	Long
mm						
6	H08M06	H08M06L	25	13	38	78
7	H08M07	H08M07L	25	14	38	78
8	H08M08	H08M08L	25	15	38	78
9	H08M09	H08M09L	25	16	38	78
10	H08M10	H08M10L	25	17,5	38	78
11	H08M11	H08M11L	25	18,7	38	78
12	H08M12	H08M12L	25	20	38	78
13	H08M13	H08M13L	25	21	38	78
14	H08M14	H08M14L	25	22,5	38	78
15	H08M15	H08M15L	30	23,7	38	78
16	H08M16	H08M16L	30	25	38	78
17	H08M17	H08M17L	30	26	38	78
18	H08M18	H08M18L	30	27,5	38	78
19	H08M19	H08M19L	30	28,7	38	78
20	H08M20	H08M20L	30	30	38	78
21	H08M21	H08M21L	30	30	38	78
22	H08M22	H08M22L	30	32	38	78
23	H08M23	H08M23L	30	32	38	78
24	H08M24	H08M24L	30	35	45	78
25	H08M25	H08M25L	30	36	45	78
26	H08M26	H08M26L	30	38	50	78
27	H08M27	H08M27L	30	38,7	50	78
28	H08M28	H08M28L	30	40	50	78
29	H08M29	H08M29L	30	40	50	78
30	H08M30	H08M30L	30	42	50	78
31	H08M31	H08M31L	30	43	50	78
32	H08M32	H08M32L	30	44	50	78
33	H08M33	H08M33L	30	45	50	78
34	H08M34	H08M34L	30	46	50	78
35	H08M35	H08M35L	30	49	50	78
36	H08M36	H08M36L	30	49	50	78
38	H08M38	H08M38L	38	53	50	90
40	H08M40	H08M40L	44	58	60	93
41	H08M41	H08M41L	44	58	60	93
46	H08M46	H08M46L	44	65	70	93
50	H08M50	H08M50L	52	70	70	93
55	H08M55	H08M55L	52	76	70	93

A	Item		D2 mm	D1 mm	L mm	
	Regular	Long			Regular	Long
inch						
5/16"	H0805	H0805L	22	15	38	78
3/8"	H0806	H0806L	22	16	38	78
7/16"	H0807	H0807L	22	18	38	78
1/2"	H0808	H0808L	22	20	38	78
9/16"	H0809	H0809L	24	22	38	78
5/8"	H0810	H0810L	25	25	38	78
11/16"	H0811	H0811L	26	26	38	78
3/4"	H0812	H0812L	28	28	38	78
13/16"	H0813	H0813L	30	30	38	78
7/8"	H0814	H0814L	32	32	38	78
15/16"	H0815	H0815L	34	34	38	78
1"	H0816	H0816L	36	36	38	78
1 1/16"	H0817	H0817L	38	38	40	78
1 1/8"	H0818	H0818L	38	40	40	78
1 3/16"	H0819	H0819L	38	42	40	78
1 1/4"	H0820	H0820L	38	44	40	78
1 5/16"	H0821	H0821L	38	45	43	78
1 3/8"	H0822	H0822L	38	48,5	50	78
1 7/16"	H0823	H0823L	38	50,5	50	78
1 1/2"	H0824	H0824L	38	52,5	50	78



SIX-POINT SOCKETS

3/4" DRIVE

A	Item		D2 mm	D1 mm	L mm	
	Regular	Long			Regular	Long
mm						
13	H12M13	H12M13L	44	25	50	95
14	H12M14	H12M14L	44	25	50	95
15	H12M15	H12M15L	44	26	50	95
16	H12M16	H12M16L	44	27	50	95
17	H12M17	H12M17L	44	31	50	95
18	H12M18	H12M18L	44	32	50	95
19	H12M19	H12M19L	44	33	50	95
20	H12M20	H12M20L	44	34	50	95
21	H12M21	H12M21L	44	35	50	95
22	H12M22	H12M22L	44	37	50	95
23	H12M23	H12M23L	44	38	50	95
24	H12M24	H12M24L	44	39	50	95
25	H12M25	H12M25L	44	40	50	95
26	H12M26	H12M26L	44	41	50	95
27	H12M27	H12M27L	44	43	54	95
28	H12M28	H12M28L	44	44	54	95
29	H12M29	H12M29L	44	45	54	95
30	H12M30	H12M30L	44	47	54	95
31	H12M31	H12M31L	44	48	56	95
32	H12M32	H12M32L	44	49	56	95
33	H12M33	H12M33L	44	51	56	95
34	H12M34	H12M34L	44	52	56	95
35	H12M35	H12M35L	44	53	56	95
36	H12M36	H12M36L	44	54	56	95
37	H12M37	H12M37L	44	56	58	95
38	H12M38	H12M38L	44	57	58	95
39	H12M39	H12M39L	44	58	58	95
40	H12M40	H12M40L	44	58	58	95
41	H12M41	H12M41L	44	60	58	95
42	H12M42	H12M42L	44	62	58	95
43	H12M43	H12M43L	44	63	63	95
44	H12M44	H12M44L	44	65	63	95
45	H12M45	H12M45L	44	66	63	95
46	H12M46	H12M46L	44	67	63	95
47	H12M47	H12M47L	44	68	68	95
48	H12M48	H12M48L	44	69	68	95
49	H12M49	H12M49L	44	70	70	95
50	H12M50	H12M50L	54	71	72	95
51	H12M51	H12M51L	54	72	72	95
52	H12M52	H12M52L	54	74	72	95
54	H12M54	H12M54L	54	77	72	95
55	H12M55	H12M55L	54	77	74	100
56	H12M56	H12M56L	54	80	74	100
57	H12M57	H12M57L	54	80	74	105
58	H12M58	H12M58L	54	81	75	105
60	H12M60	H12M60L	54	84	75	105
63	H12M63	H12M63L	54	86	75	105
65	H12M65	H12M65L	54	88	78	105
67	H12M67	-	54	90	80	-
70	H12M70	H12M70L	54	96	80	105
75	H12M75	H12M75L	64	102	83	108

A	Item		D2 mm	D1 mm	L mm	
	Regular	Long			Regular	Long
inch						
1/2"	H1208	H1208L	38	22	50	85
9/16"	H1209	H1209L	38	25,5	50	85
5/8"	H1210	H1210L	38	27,5	50	85
11/16"	H1211	H1211L	38	29	50	85
3/4"	H1212	H1212L	38	30	50	85
13/16"	H1213	H1213L	38	32	52	85
7/8"	H1214	H1214L	38	34	52	85
15/16"	H1215	H1215L	38	36	52	85
1"	H1216	H1216L	38	40	52	85
1 1/16"	H1217	H1217L	38	40	52	85
1 1/8"	H1218	H1218L	42	42	52	85
1 3/16"	H1219	H1219L	44	44	52	85
1 1/4"	H1220	H1220L	44	44	52	85
1 5/16"	H1221	H1221L	44	47	56	85
1 3/8"	H1222	H1222L	44	50	56	85
1 7/16"	H1223	H1223L	44	51	56	85
1 1/2"	H1224	H1224L	44	53	56	95
1 9/16"	H1225	H1225L	44	56	62	95
1 5/8"	H1226	H1226L	44	58	62	95
1 11/16"	H1227	H1227L	44	63,5	62	95
1 3/4"	H1228	H1228L	44	65	62	95
1 13/16"	H1229	H1229L	44	67	68	95
1 7/8"	H1230	H1230L	44	68	68	95
1 15/16"	H1231	H1231L	44	70	70	95
2"	H1232	H1232L	54	71	72	95
2 1/16"	H1233	H1233L	54	74	72	95
2 1/8"	H1234	H1234L	54	77	72	95
2 3/16"	H1235	H1235L	54	77	74	100
2 1/4"	H1236	H1236L	54	80	74	100
2 5/16"	H1237	H1237L	54	82	75	100
2 3/8"	H1238	H1238L	54	84	75	105
2 7/16"	H1239	H1239L	54	86	75	105
2 1/2"	H1240	H1240L	54	88	75	105
2 9/16"	H1241	H1241L	54	90	78	105

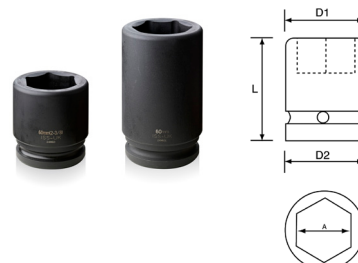


SIX-POINT SOCKETS

1" DRIVE

A	Item		D2 mm	D1 mm	L mm	
	Regular	Long			Regular	Long
mm						
17	H16M17	H16M17L	54	34	60	100
18	H16M18	H16M18L	54	35	60	100
19	H16M19	H16M19L	54	36	60	100
20	H16M20	H16M20L	54	37	60	100
21	H16M21	H16M21L	54	38	60	100
22	H16M22	H16M22L	54	40	60	100
23	H16M23	H16M23L	54	41	60	100
24	H16M24	H16M24L	54	42	60	100
25	H16M25	H16M25L	54	43	60	100
26	H16M26	H16M26L	54	44,5	60	100
27	H16M27	H16M27L	54	46	60	100
28	H16M28	H16M28L	54	47	62	100
29	H16M29	H16M29L	54	48	62	100
30	H16M30	H16M30L	54	50	62	100
31	H16M31	H16M31L	54	51	62	100
32	H16M32	H16M32L	54	52	62	100
33	H16M33	H16M33L	54	53	62	100
34	H16M34	H16M34L	54	55	62	100
35	H16M35	H16M35L	54	56	65	100
36	H16M36	H16M36L	54	57	67	100
37	H16M37	H16M37L	54	59	67	100
38	H16M38	H16M38L	54	60	67	100
39	H16M39	H16M39L	54	61	70	100
40	H16M40	H16M40L	54	62	70	100
41	H16M41	H16M41L	54	63	70	100
42	H16M42	H16M42L	54	65	74	100
43	H16M43	H16M43L	54	66	74	100
44	H16M44	H16M44L	54	67	74	100
45	H16M45	H16M45L	54	68	74	100
46	H16M46	H16M46L	54	70	76	100
47	H16M47	H16M47L	54	71,5	76	100
48	H16M48	H16M48L	54	72,5	76	100
50	H16M50	H16M50L	54	75	80	100
51	H16M51	H16M51L	54	76	80	100
52	H16M52	H16M52L	54	77	84	100
53	H16M53	H16M53L	54	78	84	100
54	H16M54	H16M54L	54	80	84	100
55	H16M55	H16M55L	54	81	84	100
56	H16M56	H16M56L	54	82	84	105
57	H16M57	H16M57L	54	84	84	105
58	H16M58	H16M58L	54	85	87	105
60	H16M60	H16M60L	54	87	87	120
62	H16M62	H16M62L	54	89	87	120
63	H16M63	H16M63L	54	90	87	120
65	H16M65	H16M65L	54	93	90	125
66	H16M66	-	54	95	92	-
67	H16M67	H16M67L	54	96	92	125
70	H16M70	H16M70L	54	100	96	125
75	H16M75	H16M75L	86	106	98	135
77	H16M77	H16M77L	86	109	100	135
78	H16M78	H16M78L	86	110	100	135
80	H16M80	H16M80L	86	112	100	135
85	H16M85	H16M85L	86	118	100	140
90	H16M90	H16M90L	86	125	105	140
95	H16M95	H16M95L	86	131	115	140
100	H16M100	H16M100L	86	137	115	140
105	H16M105	H16M105L	95	143	115	155
110	H16M110	H16M110L	95	149	115	155
115	H16M115	H16M115L	95	155	115	155

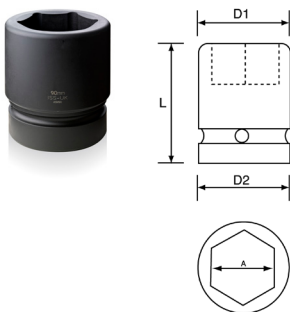
A	Item		D2 mm	D1 mm	L mm	
	Regular	Long			Regular	Long
inch						
5/8"	H1610	H1610L	51	32	58	90
11/16"	H1611	H1611L	51	34	58	90
3/4"	H1612	H1612L	51	36	58	90
13/16"	H1613	H1613L	51	38	58	90
7/8"	H1614	H1614L	51	39	58	90
15/16"	H1615	H1615L	51	40	58	90
1"	H1616	H1616L	51	42	58	90
1 1/16"	H1617	H1617L	51	44	58	90
1 1/8"	H1618	H1618L	51	46	58	90
1 3/16"	H1619	H1619L	51	48	60	90
1 1/4"	H1620	H1620L	51	51	60	90
1 5/16"	H1621	H1621L	52	53	62	90
1 3/8"	H1622	H1622L	52	54	62	90
1 7/16"	H1623	H1623L	52	56	62	90
1 1/2"	H1624	H1624L	52	58	62	92
1 9/16"	H1625	H1625L	52	60	62	92
1 5/8"	H1626	H1626L	52	61,5	62	92
1 11/16"	H1627	H1627L	52	65	64	92
1 3/4"	H1628	H1628L	58	66	64	92
1 13/16"	H1629	H1629L	58	68	64	92
1 7/8"	H1630	H1630L	58	70	66	92
1 15/16"	H1631	H1631L	58	72	68	92
2"	H1632	H1632L	58	74	70	95
2 1/16"	H1633	H1633L	58	75	70	95
2 1/8"	H1634	H1634L	58	78	70	100
2 3/16"	H1635	H1635L	62	80	72	100
2 1/4"	H1636	H1636L	62	84	75	100
2 5/16"	H1637	H1637L	62	86	75	105
2 3/8"	H1638	H1638L	62	87	78	105
2 7/16"	H1639	H1639L	62	89	78	110
2 1/2"	H1640	H1640L	62	91	80	110
2 9/16"	H1641	H1641L	62	93	80	125
2 5/8"	H1642	H1642L	62	95	82	125
2 11/16"	H1643	H1643L	62	97	82	125
2 3/4"	H1644	H1644L	62	100	96	125
2 13/16"	H1645	H1645L	62	102	96	125
2 7/8"	H1646	H1646L	86	104	96	125
2 15/16"	H1647	H1647L	86	105	98	135
3"	H1648	H1648L	86	107	100	135
3 1/16"	H1649	H1649L	86	110	100	135
3 1/8"	H1650	H1650L	86	111	100	135
3 1/4"	H1652	H1652L	86	115	100	135
3 3/8"	H1654	H1654L	86	119	105	140
3 1/2"	H1656	H1656L	86	124	105	140
3 5/8"	H1658	-	86	127	105	-
3 3/4"	H1660	-	86	131	115	-
3 7/8"	H1662	H1662L	86	135	115	140
4"	H1664	-	86	139	115	-
4 1/8"	H1666	-	95	143	115	-
4 1/4"	H1668	-	95	147	115	-
4 1/2"	H1672	-	95	154	115	-



SIX-POINT SOCKETS

1 1/2" DRIVE

A	Item		D2 mm	D1 mm	L mm	
	Regular	Long			Regular	Long
mm						
30	H24M30	-	86	56	78	-
32	H24M32	-	86	58	78	-
33	H24M33	-	86	60	78	-
34	H24M34	-	86	61	78	-
35	H24M35	-	86	64	78	-
36	H24M36	H24M36L	86	64	78	115
38	H24M38	H24M38L	86	66	80	115
40	H24M40	-	86	68	80	-
41	H24M41	H24M41L	86	70	80	115
42	H24M42	-	86	71	82	-
45	H24M45	-	86	75	84	-
46	H24M46	H24M46L	86	76	84	115
47	H24M47	-	86	77	87	-
48	H24M48	-	86	79	87	-
50	H24M50	H24M50L	86	81	87	135
52	H24M52	-	86	83	87	-
54	H24M54	-	86	86	90	-
55	H24M55	H24M55L	86	87	90	140
56	H24M56	-	86	88	92	-
60	H24M60	H24M60L	86	94	95	150
65	H24M65	H24M65L	86	100	100	150
66	H24M66	-	86	102	105	-
70	H24M70	H24M70L	86	106	105	160
75	H24M75	H24M75L	86	112	108	170
77	H24M77	-	86	114	108	-
80	H24M80	H24M80L	86	119	115	170
85	H24M85	H24M85L	86	125	118	170
90	H24M90	H24M90L	86	131	123	170
95	H24M95	H24M95L	95	137	123	180
100	H24M100	H24M100L	95	144	130	190
105	H24M105	H24M105L	95	154	130	190
110	H24M110	H24M110L	95	157	135	200
115	H24M115	H24M115L	95	164	140	210
120	H24M120	H24M120L	95	167	140	210
125	H24M125	-	125	174	140	-



A	Item		D2 mm	D1 mm	L mm	
	Regular	Long			Regular	Long
inch						
1 1/4"	H2420	-	86	58	78	-
1 5/16"	H2421	-	86	60	78	-
1 3/8"	H2422	-	86	64	78	-
1 7/16"	H2423	-	86	64	78	-
1 1/2"	H2424	-	86	66	80	-
1 9/16"	H2425	-	86	68	80	-
1 5/8"	H2426	-	86	70	80	-
1 11/16"	H2427	-	86	73	82	-
1 3/4"	H2428	-	86	75	84	-
1 13/16"	H2429	H2429L	86	76	84	115
1 7/8"	H2430	-	86	78	87	-
1 15/16"	H2431	-	86	80	87	-
2"	H2432	H2432L	86	82	87	135
2 1/16"	H2433	-	86	83	87	-
2 1/8"	H2434	-	86	86	90	-
2 3/16"	H2435	H2435L	86	88	90	140
2 1/4"	H2436	-	86	90	95	-
2 5/16"	H2437	-	86	93	95	-
2 3/8"	H2438	H2438L	86	94	95	150
2 7/16"	H2439	-	86	96	100	-
2 1/2"	H2440	-	86	98	100	-
2 9/16"	H2441	H2441L	86	100	100	150
2 5/8"	H2442	-	86	102	105	-
2 11/16"	H2443	-	86	104	105	-
2 3/4"	H2444	H2444L	86	106	105	160
2 13/16"	H2445	-	86	108	108	-
2 7/8"	H2446	-	86	110	108	-
2 15/16"	H2447	H2447L	86	112	108	170
3"	H2448	-	86	113	108	-
3 1/16"	H2449	-	86	115	115	-
3 1/8"	H2450	H2450L	86	118	115	170
3 3/16"	H2451	-	86	120	115	-
3 1/4"	H2452	-	86	122	115	-
3 5/16"	H2453	-	86	124	118	-
3 3/8"	H2454	-	86	126	118	-
3 7/16"	H2455	-	86	128	118	-
3 1/2"	H2456	H2456L	86	129	123	170
3 9/16"	H2457	-	86	131	123	-
3 5/8"	H2458	-	86	133	123	-
3 11/16"	H2459	-	86	135	123	-
3 3/4"	H2460	-	95	137	123	-
3 13/16"	H2461	-	95	137	130	-
3 7/8"	H2462	H2462L	95	144	130	180
4"	H2464	-	95	147	130	-
4 1/16"	H2465	-	95	147	130	-
4 1/8"	H2466	-	95	154	130	-
4 3/16"	H2467	-	95	154	130	-
4 1/4"	H2468	H2468L	95	154	135	190
4 5/16"	H2469	-	95	157	135	-
4 3/8"	H2470	-	95	157	135	-
4 7/16"	H2471	-	95	157	135	-
4 1/2"	H2472	-	95	164	140	-
4 5/8"	H2474	H2474L	95	164	140	210
4 3/4"	H2476	-	95	167	140	-
5"	H2480	-	127	177	140	-
5 3/8"	H2486	-	127	194	150	-

SIX-POINT SOCKETS

2 1/2" DRIVE

A	Item	D2 mm	D1 mm	L mm
mm				
55	H40M55	127	92	120
60	H40M60	127	99	125
65	H40M65	127	105	130
70	H40M70	127	110	130
75	H40M75	127	118	140
80	H40M80	127	124	140
85	H40M85	127	130	140
90	H40M90	127	136	145
95	H40M95	127	143	145
100	H40M100	127	149	150
105	H40M105	127	155	155
110	H40M110	127	161	160
115	H40M115	127	167	165
120	H40M120	127	176	170
125	H40M125	127	184	175
130	H40M130	152	187	175
135	H40M135	152	194	180
140	H40M140	152	204	180
145	H40M145	152	207	185
150	H40M150	152	214	185
155	H40M155	152	224	190
160	H40M160	152	227	190
165	H40M165	152	234	195
170	H40M170	152	244	195
175	H40M175	152	247	200
180	H40M180	152	254	200
185	H40M185	152	257	210
190	H40M190	152	264	210
200	H40M200	152	274	220
210	H40M210	152	287	220

A	Item	D2 mm	D1 mm	L mm
inch				
3"	H4048	127	120	140
3 1/8"	H4050	127	124	140
3 1/4"	H4052	127	127	140
3 3/8"	H4054	127	131	140
3 1/2"	H4056	127	135	140
3 3/4"	H4060	127	143	145
3 7/8"	H4062	127	147	150
4 1/4"	H4068	127	159	160
4 3/8"	H4070	127	163	165
4 1/2"	H4072	127	167	165
4 5/8"	H4074	127	172	170
4 3/4"	H4076	127	176	170
5"	H4080	127	184	175
5 1/8"	H4082	152	187	175
5 1/4"	H4084	152	194	175
5 3/8"	H4086	152	197	180
5 3/4"	H4092	152	214	185
5 7/8"	H4094	152	214	185
6"	H4096	152	217	158
6 1/8"	H4098	152	224	190
6 1/4"	H40100	152	227	190
6 3/8"	H40102	152	234	195
6 3/4"	H40108	152	244	195
7"	H40112	152	254	200
7 1/2"	H40120	152	264	210
8"	H40128	152	277	220

