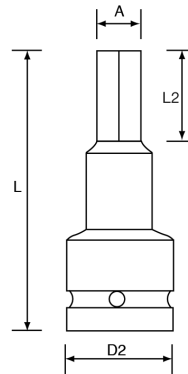




MALE HEXAGON DRIVERS 1/4" DRIVE

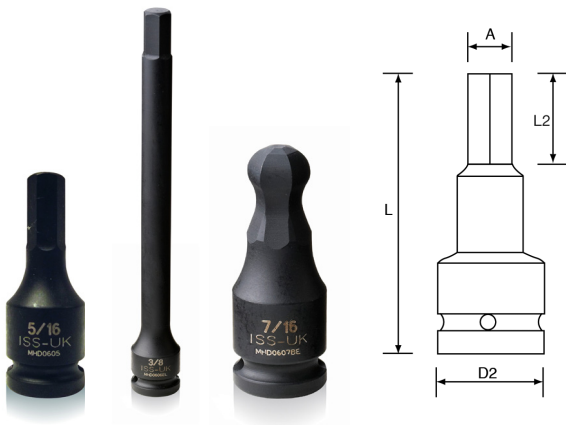
Size A	Item	D2 mm	L2 mm	L mm
mm				
2	MH04M02	13	4	35
2,5	MH04M02.5	13	4	35
3	MH04M03	13	6	35
4	MH04M04	13	6	35
5	MH04M05	13	6	35
6	MH04M06	13	6	35
7	MH04M07	13	8	35
8	MH04M08	13	8	35
9	MH04M09	13	10	35
10	MH04M10	13	10	35
inch				
1/8"	MH0402	13	6	35
5/32"	MH042.5	13	6	35
3/16"	MH0403	13	6	35
7/32"	MH043.5	13	6	35
1/4"	MH0404	13	6	35
9/32"	MH044.5	13	8	35
5/16"	MH0405	13	8	35
3/8"	MH0406	13	10	35



3/8" DRIVE

Size A	Item			D2 mm	L2 mm		L mm	
	Regular	Long	Ball head*		Regular	Long	Reg./Ball.	Long
mm								
3	MH06M03	MH06M03L	-	19	16	11	50	150
4	MH06M04	MH06M04L	MH06M04B	19	16	11	50	150
5	MH06M05	MH06M05L	MH06M05B	19	16	11	50	150
6	MH06M06	MH06M06L	MH06M06B	19	16	11	50	150
7	MH06M07	MH06M07L	MH06M07B	19	16	16	50	150
8	MH06M08	MH06M08L	MH06M08B	19	16	16	50	150
9	MH06M09	MH06M09L	MH06M09B	19	16	16	50	150
10	MH06M10	MH06M10L	MH06M10B	19	16	16	50	150
11	MH06M11	MH06M11L	MH06M11B	19	16	16	50	150
12	MH06M12	MH06M12L	MH06M12B	19	16	16	50	150
13	MH06M13	MH06M13L	MH06M13B	19	16	16	50	150
14	MH06M14	MH06M14L	MH06M14B	19	16	16	50	150
15	MH06M15	MH06M15L	MH06M15B	19	16	16	50	150
16	MH06M16	MH06M16L	MH06M16B	19	16	16	50	150
inch								
3/16"	MH0603	MH0603L	MH0603B	19	16	11	50	150
7/32"	MH063.5	MH063.5L	MH063.5B	19	16	11	50	150
1/4"	MH0604	MH0604L	MH0604B	19	16	11	50	150
9/32"	MH064.5	MH064.5L	MH064.5B	19	16	16	50	150
5/16"	MH0605	MH0605L	MH0605B	19	16	16	50	150
3/8"	MH0606	MH0606L	MH0606B	19	16	16	50	150
7/16"	MH0607	MH0607L	MH0607B	19	16	16	50	150
1/2"	MH0608	MH0608L	MH0608B	19	16	16	50	150
9/16"	MH0609	MH0609L	MH0609B	19	16	16	50	150
5/8"	MH0610	MH0610L	MH0610B	19	16	16	50	150

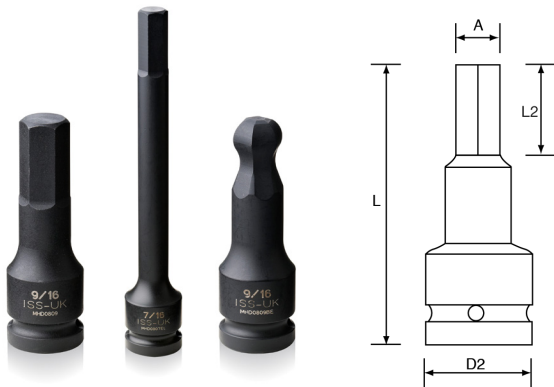
*] No warranty for ball-end sockets (products ending in B), and they are not available in extended lengths.



1/2" DRIVE

Size A	Item				D2 mm	L2 mm			L mm		
	Regular	Short	Long	Ball head*		Regular	Short	Long	Reg./Ball.	Short	Long
mm											
3	MH08M03	MH08M03S	-	-	25	11	11	-	75	55	-
4	MH08M04	MH08M04S	MH08M04L	MH08M04B	25	11	11	11	75	55	150
5	MH08M05	MH08M05S	MH08M05L	MH08M05B	25	15	15	15	75	55	150
6	MH08M06	MH08M06S	MH08M06L	MH08M06B	25	15	15	15	75	55	150
7	MH08M07	MH08M07S	MH08M07L	MH08M07B	25	25	15	25	75	55	150
8	MH08M08	MH08M08S	MH08M08L	MH08M08B	25	25	16	25	75	55	150
9	-	-	-	MH08M09B	25	-	-	-	75	-	-
10	MH08M10	MH08M10S	MH08M10L	MH08M10B	25	25	16	25	75	55	150
11	-	-	-	MH08M11B	25	-	-	-	75	-	-
12	MH08M12	MH08M12S	MH08M12L	MH08M12B	25	25	16	25	75	55	150
13	MH08M13	-	MH08M13L	MH08M13B	25	25	-	25	75	-	150
14	MH08M14	MH08M14S	MH08M14L	MH08M14B	25	25	16	25	75	55	150
15	-	-	-	MH08M15B	25	-	-	-	75	-	-
16	MH08M16	MH08M16S	MH08M16L	MH08M16B	25	25	16	25	75	55	150
17	MH08M17	MH08M17S	MH08M17L	MH08M17B	25	25	16	25	75	55	150
18	-	-	-	MH08M18B	25	-	-	-	75	-	-
19	MH08M19	MH08M19S	MH08M19L	MH08M19B	25	25	16	25	75	55	150
22	MH08M22	MH08M22S	MH08M22L	-	30	25	16	25	75	55	150
24	MH08M24	MH08M24S	MH08M24L	-	30	25	16	25	75	55	150
inch											
3/16"	MH0803	-	-	MH0803B	25	11	-	11	75	-	-
7/32"	MH083.5	-	-	MH083.5B	25	15	-	15	75	-	-
1/4"	MH0804	-	MH0804L	MH0804B	25	15	-	15	75	-	150
9/32"	MH084.5	-	MH084.5L	MH084.5B	25	20	-	20	75	-	150
5/16"	MH0805	-	MH0805L	MH0805B	25	25	-	25	75	-	150
3/8"	MH0806	-	MH0806L	MH0806B	25	25	-	25	75	-	150
7/16"	MH0807	-	MH0807L	MH0807B	25	25	-	25	75	-	150
1/2"	MH0808	-	MH0808L	MH0808B	25	25	-	25	75	-	150
9/16"	MH0809	-	MH0809L	MH0809B	25	25	-	25	75	-	150
5/8"	MH0810	-	MH0810L	MH0810B	25	25	-	25	75	-	150
11/16"	MH0811	-	MH0811L	MH0811B	25	25	-	25	75	-	150
3/4"	MH0812	-	MH0812L	MH0812B	25	25	-	25	75	-	150
13/16"	MH0813	-	MH0813L	-	30	25	-	25	75	-	150
7/8"	MH0814	-	MH0814L	-	30	25	-	25	75	-	150
15/16"	MH0815	-	MH0815L	-	30	25	-	25	75	-	150
1"	MH0816	-	MH0816L	-	30	25	-	25	75	-	150

*) No warranty for ball-end sockets (products ending in B).

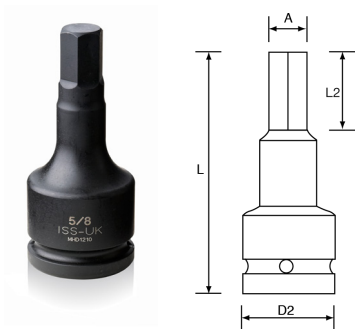




3/4" DRIVE

Size A	Item			D2 mm	L2 mm		L mm		
	Regular	Short	Long		Regular	Long	Regular	Short	Long
mm									
10	MH12M10	MH12M10S	-	44	20	25	100	62	-
12	MH12M12	MH12M12S	-	44	20	25	100	62	-
14	MH12M14	MH12M14S	MH12M14L	44	20	25	100	62	150
17	MH12M17	MH12M17S	MH12M17L	44	20	25	100	62	150
19	MH12M19	MH12M19S	MH12M19L*	44	20	25	100	62	150
21	MH12M21	-	-	44	20	-	100	-	-
22	MH12M22	MH12M22S	-	44	20	25	100	62	-
24	MH12M24	MH12M24S	-	44	20	25	100	62	-
27	MH12M27	-	-	44	20	25	100	-	-
30	MH12M30	-	-	44	20	25	100	-	-
32	MH12M32	-	-	44	20	25	100	-	-
inch									
3/8"	MH1206	-	-	44	20	-	100	-	-
7/16"	MH1207	-	-	44	20	-	100	-	-
1/2"	MH1208	-	-	44	20	-	100	-	-
9/16"	MH1209	-	-	44	20	-	100	-	-
5/8"	MH1210	-	-	44	20	-	100	-	-
3/4"	MH1212	-	-	44	20	-	100	-	-
7/8"	MH1214	-	-	44	20	-	100	-	-
1"	MH1216	-	-	44	20	-	100	-	-

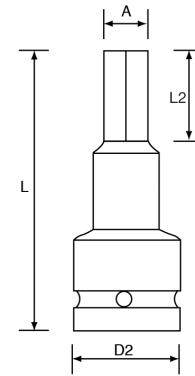
*] Also available in 190mm length.





1" DRIVE

Size A	Item		D2 mm	L2 mm	L mm	
	Regular	Short			Regular	Short
mm						
10	MH16M10	-	54	20	100	-
12	MH16M12	-	54	20	100	-
14	MH16M14	MH16M14S	54	20	100	75
17	MH16M17	MH16M17S	54	20	100	75
19	MH16M19	MH16M19S	54	20	100	75
20	MH16M20	-	54	20	100	-
22	MH16M22	MH16M22S	54	20	100	75
24	MH16M24	MH16M24S	54	20	100	75
27	MH16M27	MH16M27S	54	20	100	75
30	MH16M30	MH16M30S	54	20	100	75
32	MH16M32	MH16M32S	54	20	100	75
36	MH16M36	MH16M36S	54	20	100	75
inch						
3/8"	MH1606	-	54	20	100	-
7/16"	MH1607	-	54	20	100	-
1/2"	MH1608	-	54	20	100	-
9/16"	MH1609	-	54	20	100	-
5/8"	MH1610	-	54	20	100	-
3/4"	MH1612	-	54	20	100	-
7/8"	MH1614	-	54	20	100	-
1"	MH1616	-	54	20	100	-
1 1/8"	MH1618	-	54	20	100	-
1 1/4"	MH1620	-	54	20	100	-
1 3/8"	MH1622	-	54	20	100	-



1 1/2" DRIVE

Size A	Item	D2 mm	L2 mm	L mm
mm				
19	MH24M19	86	20	120
22	MH24M22	86	20	120
24	MH24M24	86	20	120
27	MH24M27	86	20	120
30	MH24M30	86	20	120
32	MH24M32	86	20	120
33	MH24M33	86	20	120
36	MH24M36	86	20	120
38	MH24M38	86	20	120
41	MH24M41	86	20	120
46	MH24M46	86	20	120
50	MH24M50	86	20	120
55	MH24M55	86	20	120
inch				
3/4"	MH2412	86	20	120
13/16"	MH2413	86	20	120
7/8"	MH2414	86	20	120
15/16"	MH2415	86	20	120
1"	MH2416	86	20	120
1 1/16"	MH2417	86	20	120
1 3/16"	MH2419	86	20	120
1 1/4"	MH2420	86	20	120

