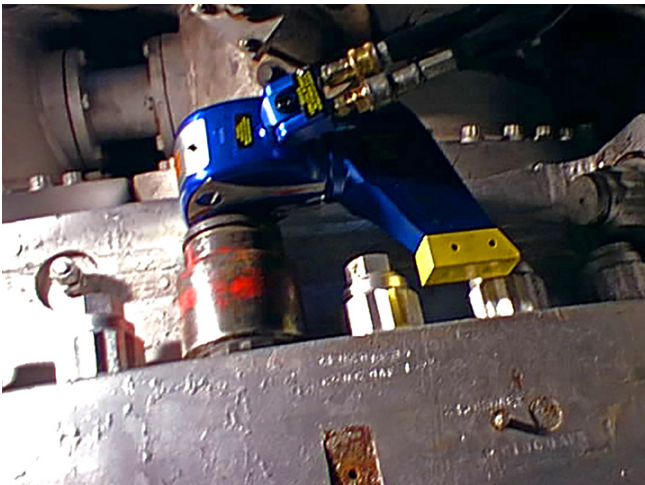
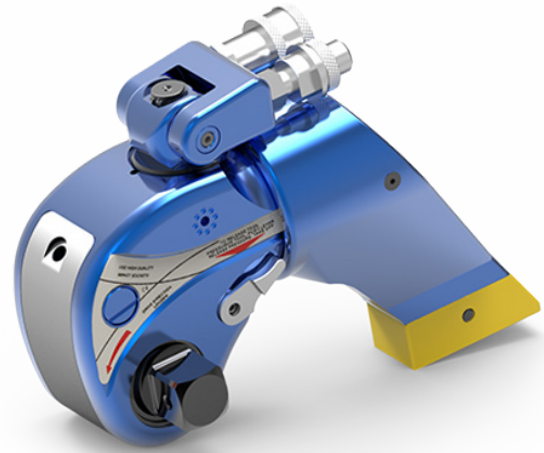
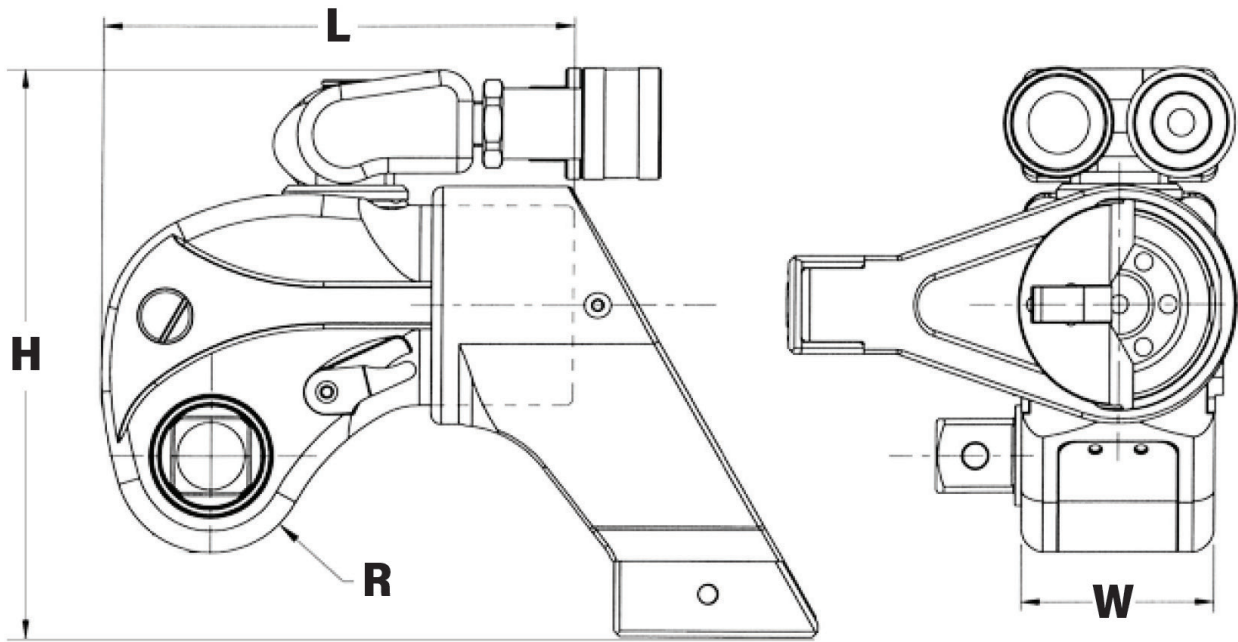


HYTORC MXT HYDRAULINEN MOMENTTIVÄÄNNIN

HYTORC MXT represents traditional hydraulic torque wrenches, whose popularity continues to endure.

- | 360° turning reaction fixture is attached to the rear of the wrench
- | 360° x 180° uni-swivel for easy setup of tool and hoses in very cramped places
- | Manufactured for production and maintenance industries
- | Wide range of reaction fixtures
- | Supplied with a calibration certificate
- | Supplied with a carry handle (on HY-1MXT and larger models)
- | Supplied with a robust heavy-duty case





Item	Drive	Torque Range Nm	R mm	L mm	H mm	W mm	Weight kg
HY-.7MXT	3/4"	160 - 1 114	21	101	108	41	1,2
HY-1MXT	3/4"	271 - 1 816	25	124	124	50	1,8
HY-3MXT	1"	650 - 4 377	33	161	155	67	3,8
HY-5MXT	1 1/2"	1 131 - 7 575	40	193	183	80	6,5
HY-10MXT	1 1/2"	2 378 - 15 610	50	242	224	100	11,3
HY-15MXT	2 1/2"	3 073 - 20 866	55	268	246	111	16,4
HY-20MXT	2 1/2"	4 011 - 26 775	60	290	260	120	19,7
HY-35MXT	2 1/2"	7 317 - 50 271	74	356	315	148	35,2
HY-.5XLT*	1/2"	81 - 538	16,5	76,2	108	33,6	0,9
HY-8XLT*	1 1/2"	1 627 - 10 846	44,7	195,6	215,9	90,7	11,4
HY-25XLT*	2 1/2"	5 265 - 35 102	66,1	299,7	292,1	133,4	31,2

*) The series is complemented by intermediate sizes available from the model preceding the MXT.

RELEASE LEVER



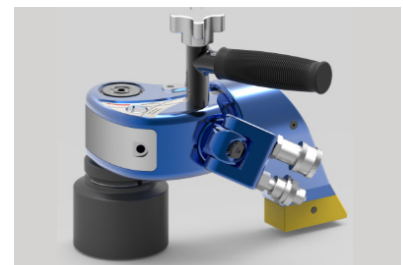
The MXT is equipped with a separate release lever, allowing the wrench to be released from the workpiece in case of potential sticking situations.

NON-SLIP RATCHET



The internal push pawl prevents the ratchet from rotating in the opposite direction during operation.

WIDE RANGE OF ACCESSORIES



The MXT wrench package includes a separate support handle to facilitate operation. Additionally, a wide range of accessories is available, including special reaction arms and hex drive adapters.

ACCESSORIES HYDRAULIC TORQUE WRENCHES REACTION ARMS AND SOLUTIONS



1



2



3



4



5



6



7



8



9



10



11



12

Number	Description	Compatibility
1	Square drive type reaction arm	MXT+ / ICE / AVANTI
2	360° x 360° rotatable reaction arm	MXT+ / ICE / AVANTI
3	Standard reaction arm	MXT+ / MXT / EDGE-S
4	Reaction sleeve	MXT+ / MXT / EDGE-S
5	Track pad fixture	MXT+ / ICE / AVANTI
6	Washer driver socket	MXT+ / ICE / AVANTI
7	HYTORC Nut driver	MXT+ / ICE / AVANTI
8	Alco arm	MXT+ / MXT / EDGE-S
9	U-shaped reaction arm	MXT+ / ICE / AVANTI
10	Reaction pad	STEALTH / VERSA / XLCT
11	Alco arm	STEALTH / VERSA / XLCT
12	Welding adapter	MXT+ / ICE / AVANTI

DUAL HYDRAULIC HOSES

- Hose working pressure: 700 bar
- High-visibility color ensures visibility even in poor conditions
- Hose lengths can be customized according to customer specifications, starting from 0.5 m
- All hoses, wrenches, and pumps can be equipped with connectors according to customer requirements
- Standard lengths (m): 5, 6, 8, 10, 12, 16
- Available with protective casing

