

HYTORC LION GUN X BATTERY TORQUE WRENCH

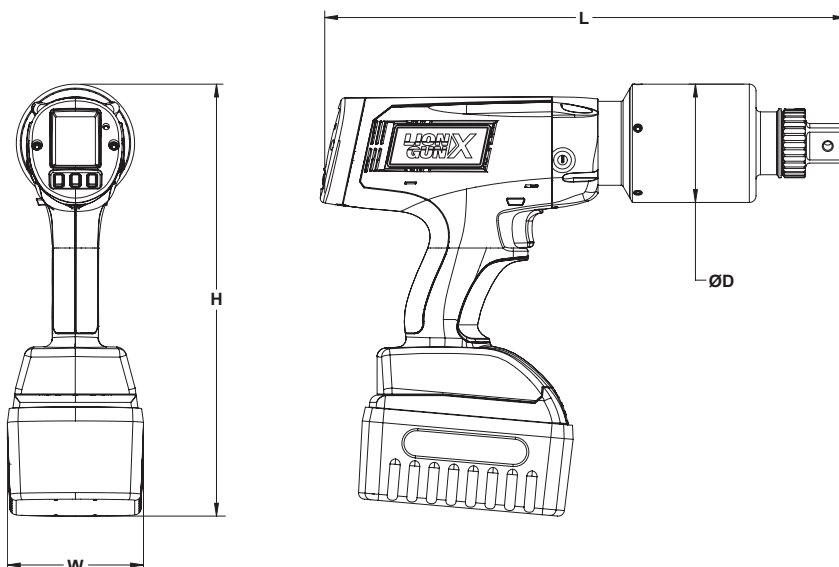
The LION GUN X is a fast and powerful battery-powered torque wrench, designed to be lightweight, ergonomic, and easy to use. Equipped with a compact 36V battery, this tool delivers up to 4067 Nm of torque, making it one of the most powerful battery-operated torque wrenches in the HYTORC lineup. The LION GUN X is compatible with HYTORC's extensive range of accessories, including Washer systems. Data transfer from the LION GUN X is simple via a USB cable, allowing direct connection to a computer.

LION GUN X -SET INCLUDES:

- LION GUN X battery torque wrench
- Storage case
- Battery charger
- Side handle
- Reaction arm
- 2 x 36V batteries
- User manual
- Calibration certificate

Item	Torque range Nm	Drive	H mm	W mm	L mm	D mm	Weight kg*
LGX-1000-U	271 - 1 356	3/4"	300	97	302	65	4,4
LGX-3000-U	678 - 4 067	1"	305	97	376	85	7,0

*] With battery



ACCESSOIRES

BATTERY AND PNEUMATIC TORQUE WRENCHES

REACTION ARMS AND FASTENERS



1



2



3



4



5



6



7



8



9



10

Number	Description
1	Alco arm
2	Square drive type reaction arm
3	Track pad fixture
4	Wheel Gun
5	Extension
6	360° x 360° rotatable reaction arm
7	HYTORC Nut driver
8	Washer driver
9	Welding adapter
10	U-shaped reaction arm



Available with HYTORC Electric Tool Power Supply (EPS)