

## TORQUE MULTIPLIERS

Gedore's torque multipliers provide a reliable solution for applications requiring high torque forces. The accuracy of the multipliers is better than  $\pm 3\%$ , and they are designed for controlled tightening and loosening. The lightweight yet durable aluminum construction, combined with various gear ratios, allows for use in a wide range of industrial and maintenance applications.

All Gedore torque multipliers utilize a modular design, which enhances user-friendliness and efficiency. They can be used with compatible torque wrenches, and they come with adjustable reaction arms for various applications.

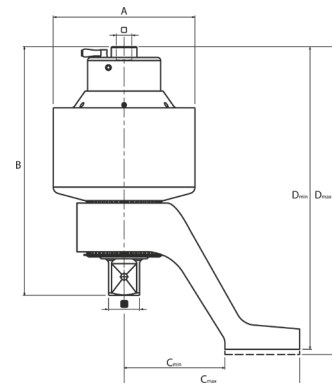
- Accuracy better than  $\pm 3\%$
- Lightweight and durable aluminum construction
- Suitable for controlled tightening and loosening
- Compatible with appropriate torque wrenches



DVI-28L



DVV-40ZRS



Item	Model	Torque max. Nm	Ratio	Female	Male	A (mm)	B (mm)	C min (mm)	C max (mm)	D min (mm)	D max (mm)	Max. Input Nm	Weight (kg)
<b>Ratchet</b>													
2653109	DVV-40ZRS	4 000	16:1	1/2"	1"	88	227	68	133	264	270	310	4,2
2653117	DVV-60ZRS	6 000	18:1	3/4"	1 1/2"	102	257	110	190	316	324	400	6,6
2653125	DVV-80ZRS	8 000	22:1	3/4"	1 1/2"	128	277	110	190	338	342	420	9,1
2653133	DVV-100ZRS	10 000	28,5:1	3/4"	1 1/2"	142	292	120	216	350	356	410	10,9
2653141	DVV-130ZRS	13 000	39:1	3/4"	1 1/2"	175	306	126	229	372	379	380	17,0
2653168	DVV-540RS	54 000	175:1	3/4"	2 1/2"	270	415	-	-	-	-	380	64,6
<b>Without ratchet</b>													
2653087	DVV-40Z	4 000	16:1	1/2"	1"	88	212	68	133	250	256	300	3,9
2653249	DVI-20L	2 000	4:1	3/4"	1"	88	131	73	152	-	-	580	1,8
2653257	DVI-28L	2 800	5,5:1	3/4"	1"	106	146	83	199	-	-	550	2,4
2653265	DVI-20Z	2 000	4:1	3/4"	1"	88	131	100	150	-	-	580	1,8
2653273	DVI-28Z	2 800	5,5:1	3/4"	1"	106	146	100	150	-	-	550	2,4
2653370	DVV-13Z	1 300	5:1	1/2"	3/4"	80	133	56	95	165	173	270	1,3
2653389	DVV-13ZG	1 300	5:1	1/2"	3/4"	80	133	56	95	165	173	270	3,0