

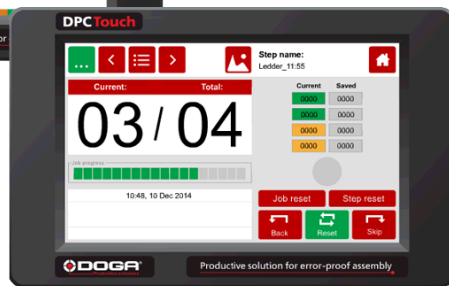
DOGA POSITIONING CONTROL SYSTEM

The DOGA positioning control system is an excellent accessory for situations where the correct tightening sequence of screws is critical to the final outcome. The torque arm's coordinates are programmed into the positioning control system, which monitors its position in the x-y-z space using sensors installed at the arm's pivot points. The positioning control system activates the nutrunner only when the user moves it to the correct and allowed coordinate point in the sequence.

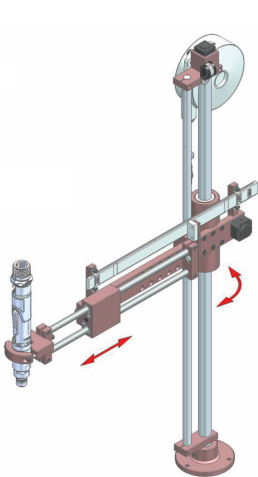


TECHNICAL SPECIFICATIONS:

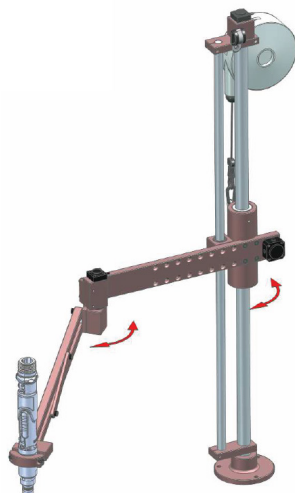
- 202 x 127 x 38 mm
- 550 g
- 12 I/O, 24 V
- 7" touch screen



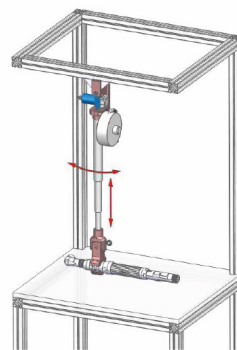
- Power supply included
- Ensures error-free process
- RS232 interface for barcode reader
- Work sequence management
- Compatible with both electric and pneumatic nutrunners



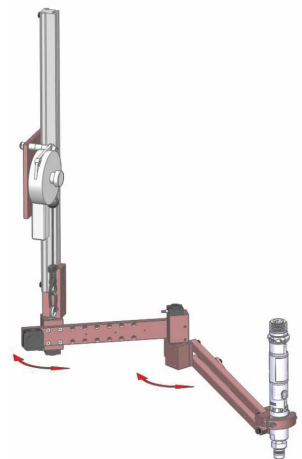
Linear arms BA



Articulated arms BA-R



Carbon fiber arm



Slide series arms