

HDG SERIES

DOUBLE ACTING HIGH TONNAGE CYLINDERS

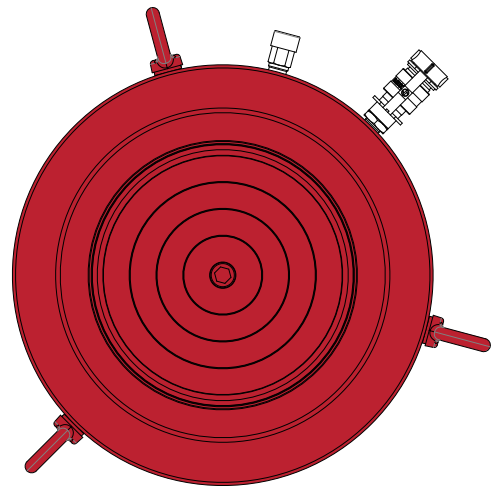
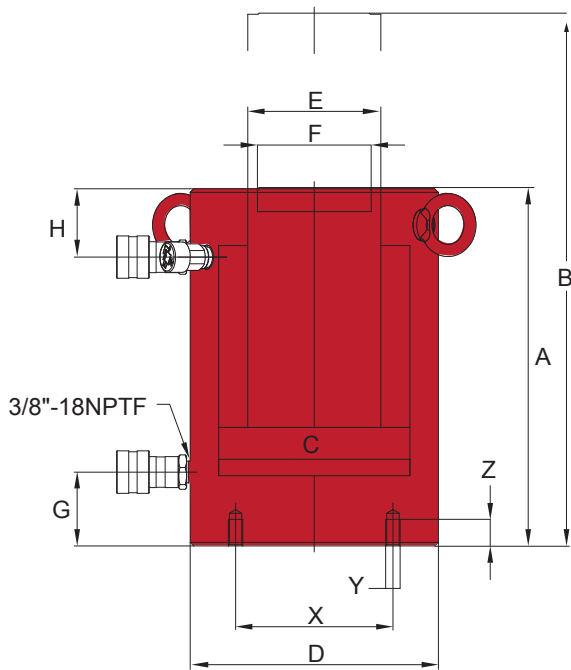
- ▮ Cylinders are burnish rolled for a smooth precision mirror finish
- ▮ Industrial hard chrome plated ram prevents scratching and corrosion
- ▮ Base mounting holes standard on all models
- ▮ Rod wiper seals out dirt and contamination
- ▮ High strength steel construction from gun drilled solid bar
- ▮ High flow 3/8"-18NPTF ball couplers with dust caps included
- ▮ Maximum working pressure 700 bar



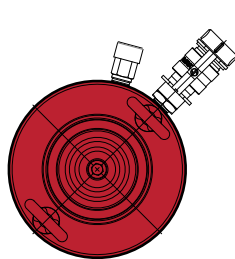
HDG15006

Item	Stroke (mm)	Min. height A (mm)	Outside Ø D (mm)	Pull oil capacity (cc)	Pull oil capacity (cc)	Push effective area (cm ²)	Pull effective area (cm ²)	Weight (kg)
Push capacity: 100 tn (911 kN), Pull capacity: 44 tn (419 kN)								
HDG10002	50	182	165	664	309	132,7	61,9	28
HDG10004	100	232	165	1 327	618	132,7	61,9	34
HDG10006	150	282	165	1 991	928	132,7	61,9	40
HDG10008	200	332	165	2 655	1 237	132,7	61,9	45
HDG10010	250	382	165	3 318	1 546	132,7	61,9	52
HDG10012	300	432	165	3 982	1 856	132,7	61,9	58
Push capacity: 150 tn (1 348 kN), Pull capacity: 72 tn (695 kN)								
HDG15002	50	196	205	981	506	196,3	101,3	46
HDG15004	100	246	205	1 963	1 013	196,3	101,3	55
HDG15006	150	296	205	2 978	1 447	196,3	101,3	64
HDG15008	200	346	205	3 926	2 025	196,3	101,3	74
HDG15010	250	396	205	4 907	2 531	196,3	101,3	82
HDG15012	300	446	205	5 889	3 038	196,3	101,3	92
Push capacity: 200 tn (1 816 kN), Pull capacity: 85 tn (833 kN)								
HDG20002	50	216	235	1 322	606	264,5	121,3	55
HDG20006	150	316	235	3 989	1 905	264,5	121,3	91
HDG20008	200	366	235	5 289	2 426	264,5	121,3	110
HDG20012	300	466	235	7 977	3 809	264,5	121,3	146
Push capacity: 300 tn (3 132 kN), Pull capacity: 104 tn (1 039 kN)								
HDG30002	50	312	310	2 281	757	456,2	151,4	184
HDG30006	150	412	310	6 843	2 270	456,2	151,4	232
HDG30012	300	562	310	13 685	4 541	456,2	151,4	303
Push capacity: 400 tn (3 844 kN), Pull capacity: 135 tn (1 352 kN)								
HDG40002	50	374	350	2 800	967	559,9	196,9	270
HDG40006	150	474	350	8 399	2 902	559,9	196,9	330
HDG40012	300	625	350	17 077	6 004	559,9	196,9	421
Push capacity: 500 tn (5 016 kN), Pull capacity: 170 tn (1 700 kN)								
HDG50002	50	419	400	3 653	1 238	730,7	247,7	401
HDG50006	150	519	400	10 959	3 713	730,7	247,7	480
HDG50012	300	669	400	21 919	7 427	730,7	247,7	599
Push capacity: 600 tn (5 871 kN), Pull capacity: 203 tn (2 028 kN)								
HDG60002	50	429	430	4 277	1 477	855,3	295,4	474
HDG60006	150	529	430	12 829	4 431	855,3	295,4	565
HDG60010	250	629	430	19 422	6 643	855,3	295,4	630
HDG60012	300	679	430	25 662	8 862	855,3	295,4	701
Push capacity: 800 tn (8 073 kN), Pull capacity: 266 tn (2 657 kN)								
HDG80002	50	474	505	5 881	1 935	1 176	387,1	741
HDG80006	150	574	505	17 649	5 806	1 176	387,1	868
HDG80012	300	724	505	35 281	11 611	1 176	387,1	1 058
Push capacity: 1 000 tn (10 062 kN), Pull capacity: 373 tn (3 719 kN)								
HDG100002	50	564	560	7 329	2 709	1 465	541,8	1 062
HDG100006	150	664	560	21 991	8 126	1 465	541,8	1 213
HDG100012	300	814	560	43 966	16 252	1 465	541,8	1 439

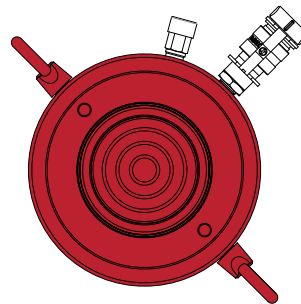
Push capacity	Cylinder bore Ø C (mm)	Plunger Ø E (mm)	Saddle Ø F (mm)	Base to inlet port G (mm)	Top to retract port H (mm)	Base mounting holes		
						Bolt circle X (mm)	Thread size Y (mm)	Thread depth Z (mm)
95 tn	130	95	75	54	48	95	M12	22
150 tn	158	110	94	61	56	130	M12	22
200 tn	183	135	113	67	56	165	M12	20
300 tn	241	197	177	101	75	180	M16	36
400 tn	267	216	196	114	105	205	M16	36
500 tn	305	248	228	114	135	250	M24	38
600 tn	330	267	247	114	135	275	M24	38
800 tn	387	317	297	149	135	330	M24	38
1 000 tn	432	343	323	174	170	375	M24	38



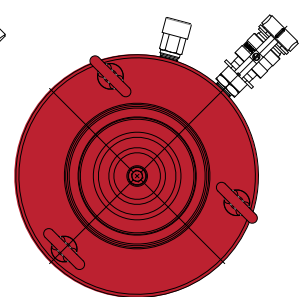
HDG300 - HDG1000



HDG100



HDG150



HDG200