

HF SERIES

SINGLE ACTING FLAT BODY CYLINDERS

- Solid steel cylinder body
- High flow ball coupler and dust cap included
- Maximum working pressure is 700 bar
- Handles included in models with a push capacity over 75 ton

| Item | Stroke (mm) | Collapsed Height A (mm) | Outside Dia. D1 x D2 (mm) | Oil Capacity (cc) | Cylinder Effective Area (cm ²) | Weight (kg) |
|--|-------------|-------------------------|---------------------------|-------------------|--|-------------|
| Push Capacity: 5 tn (49 kN) | | | | | | |
| HF0500 | 16 | 41 | 60 x 40 | 11 | 7,1 | 0,9 |
| Push Capacity: 5 tn (49 kN) (includes 3/8" coupling, standard flow) | | | | | | |
| HF0503 | 6 | 32 | 61 x 41 | 4 | 7,1 | 0,6 |
| Push Capacity: 10 tn (104 kN) | | | | | | |
| HF1005 | 11 | 43 | 84 x 56 | 17 | 15,2 | 1,5 |
| Push Capacity: 20 tn (194 kN) | | | | | | |
| HF2005 | 11 | 51 | 102 x 76 | 31 | 28,3 | 2,7 |
| Push Capacity: 30 tn (288 kN) | | | | | | |
| HF3005 | 13 | 59 | 117 x 97 | 54 | 41,9 | 4,4 |
| Push Capacity: 45 tn (437 kN) | | | | | | |
| HF5006 | 16 | 67 | 140 x 114 | 102 | 63,6 | 6,8 |
| Push Capacity: 75 tn (726 kN) (includes handle) | | | | | | |
| HF7506 | 16 | 80 | 165 x 140 | 166 | 103,9 | 11,5 |
| Push Capacity: 90 tn (870 kN) (includes handle) | | | | | | |
| HF10006 | 16 | 86 | 177 x 152 | 203 | 126,7 | 14,3 |
| Push Capacity: 150 tn (1 359 kN) (includes handle) | | | | | | |
| HF15006 | 16 | 100 | 215 x 190 | 316 | 197,9 | 24,2 |

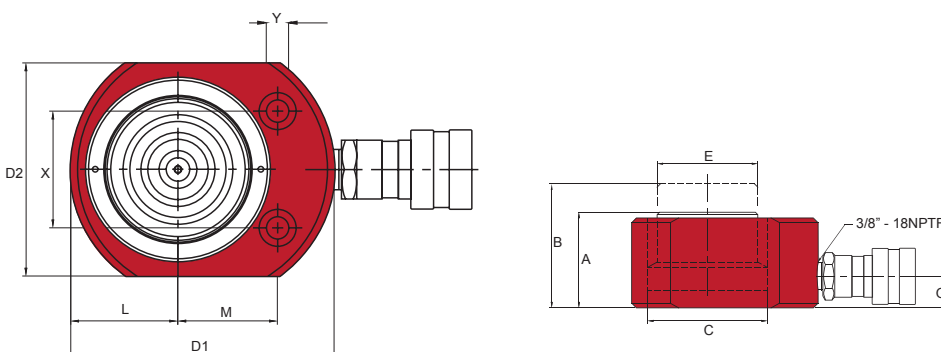


HF0503



HF10006

| Item | Cylinder Bore Dia. C (mm) | Plunger Dia. (mm) | Base to Inlet Port G (mm) | Plunger to Base L (mm) | Plunger to Mtg. Hole M (mm) | Hole Pitch X (mm) | Hole Dia. Y (mm) | Counter Bore Dia. (mm) | Counter Bore Depth (mm) |
|---------|---------------------------|-------------------|---------------------------|------------------------|-----------------------------|-------------------|------------------|------------------------|-------------------------|
| HF0500 | 30 | 25 | 19 | 20 | 22 | 28 | 5 | 10 | 6 |
| HF0503 | 30 | 25 | 18 | 20 | 22 | 28 | 5 | 8 | 4 |
| HF1005 | 44 | 38 | 20 | 28 | 34 | 37 | 7 | 11 | 8 |
| HF2005 | 60 | 51 | 19 | 39 | 40 | 49 | 10 | 15 | 10 |
| HF3005 | 73 | 64 | 20 | 48 | 44 | 52 | 10 | 16 | 11 |
| HF5006 | 90 | 70 | 20 | 57 | 54 | 67 | 11 | 19 | 13 |
| HF7506 | 115 | 90 | 20 | 70 | 67 | 76 | 13 | 21 | 14 |
| HF10006 | 127 | 90 | 20 | 76 | 75 | 76 | 13 | 21 | 14 |
| HF15006 | 159 | 118 | 24 | 3,75 | 95 | 117 | 13 | 21 | 14 |

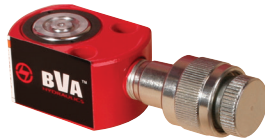
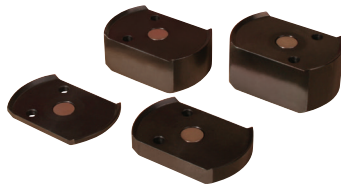


FLAT BODY CYLINDER KITS

Our selection also includes ready-made accessory kits, where the cylinder is supplied with a magnetically locking extension block set.

- The 5-ton cylinder set includes four extension blocks
- The 10, 20, and 30-ton cylinder sets include three extension blocks

| Item | Cylinder Model | Adapter Dimensions mm | | | | Weight kg |
|--------------------------------------|----------------|-----------------------|----|----|----|-----------|
| | | 1 | 2 | 3 | 4 | |
| Push Capacity: 5 tn (49 kN) | | | | | | |
| HF0503B | HF0503 | 4 | 11 | 23 | 30 | 2,5 |
| Push Capacity: 10 tn (104 kN) | | | | | | |
| HF1005B | HF1005 | 10 | 20 | 40 | - | 4,2 |
| Push Capacity: 20 tn (194 kN) | | | | | | |
| HF2005B | HF2005 | 10 | 20 | 40 | - | 6,8 |
| Push Capacity: 30 tn (288 kN) | | | | | | |
| HF3005B | HF3005 | 10 | 20 | 40 | - | 9,5 |
| Push Capacity: 45 tn (437 kN) | | | | | | |
| HF5006B | HF5006 | 10 | 20 | 40 | - | 14,7 |



HF0503B